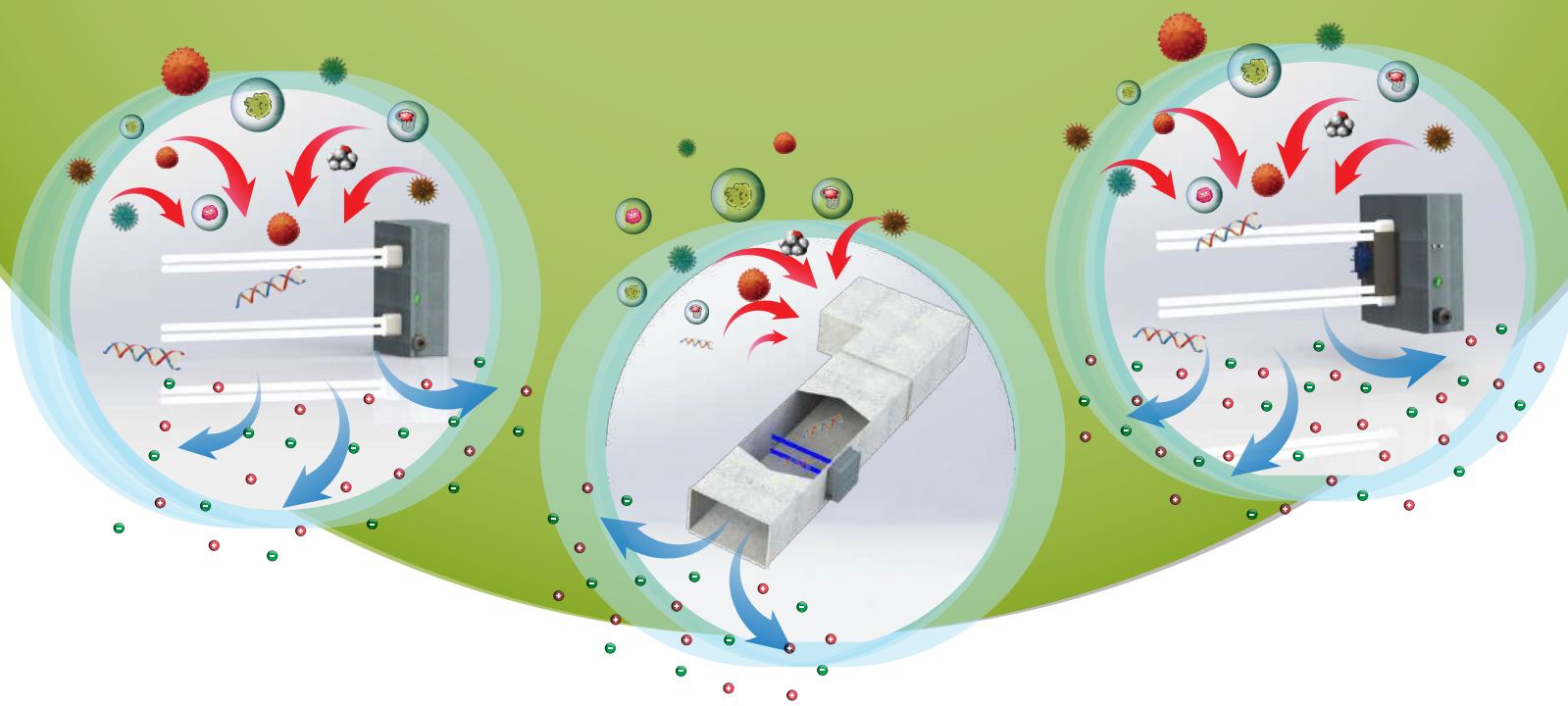


# IN-DUCT UV PLASMA AIR STERILIZER

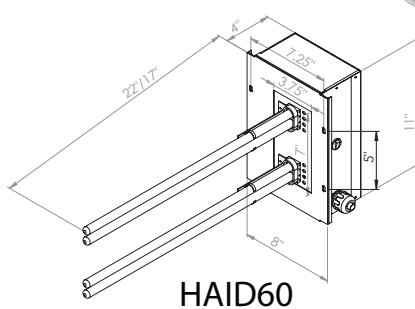
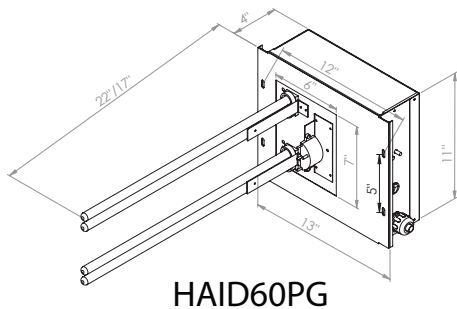


*customer to factor in obstruction + barrier to airflow in space*

**Model:** HAID60PG  
**Capacity:** 1500 CFM  
**Dimensions:** 13" X 11" X 26" (W x H x D)  
**UVC LIGHT:** Yes  
**PLASMA AIR:** Yes  
**Voltage option:** 120V/1/50-60Hz  
 220V/1/50-60Hz  
**Amps:** 4

**Model:** HAID60  
**Capacity:** 1500 CFM  
**Dimensions:** 8" x 11" x 26" (W x H x D)  
**UVC LIGHT:** Yes  
**PLASMA AIR:** NO  
**Voltage option:** 120V/1/50-60Hz  
 220V/1/50-60Hz  
**Amps:** 4

## INSTALLATION DIMENSIONS



## TYPICAL INSTALLATION

